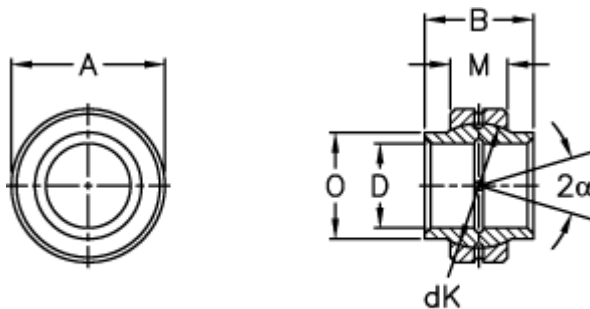


Article number: 03504012

Description: Fluro Rod end GE 12LO

Measures



Str. 12 den smørerille

A	= 22 0 -0,009	Tilt angle = 4
B	= 12	Weight = 17
D	= 12 0 +0,018	
dK	= 18	
Dynamic load C (kN)	= 10.8	
M	= 7	
O	= 15.5	
Static load C0 (kN)	= 54	